

WALL EXHAUST FAN



WFM-300

12" Wall Exhaust Fan



Application



Vol. / Freq 220-240V/50-60Hz
Power 36W

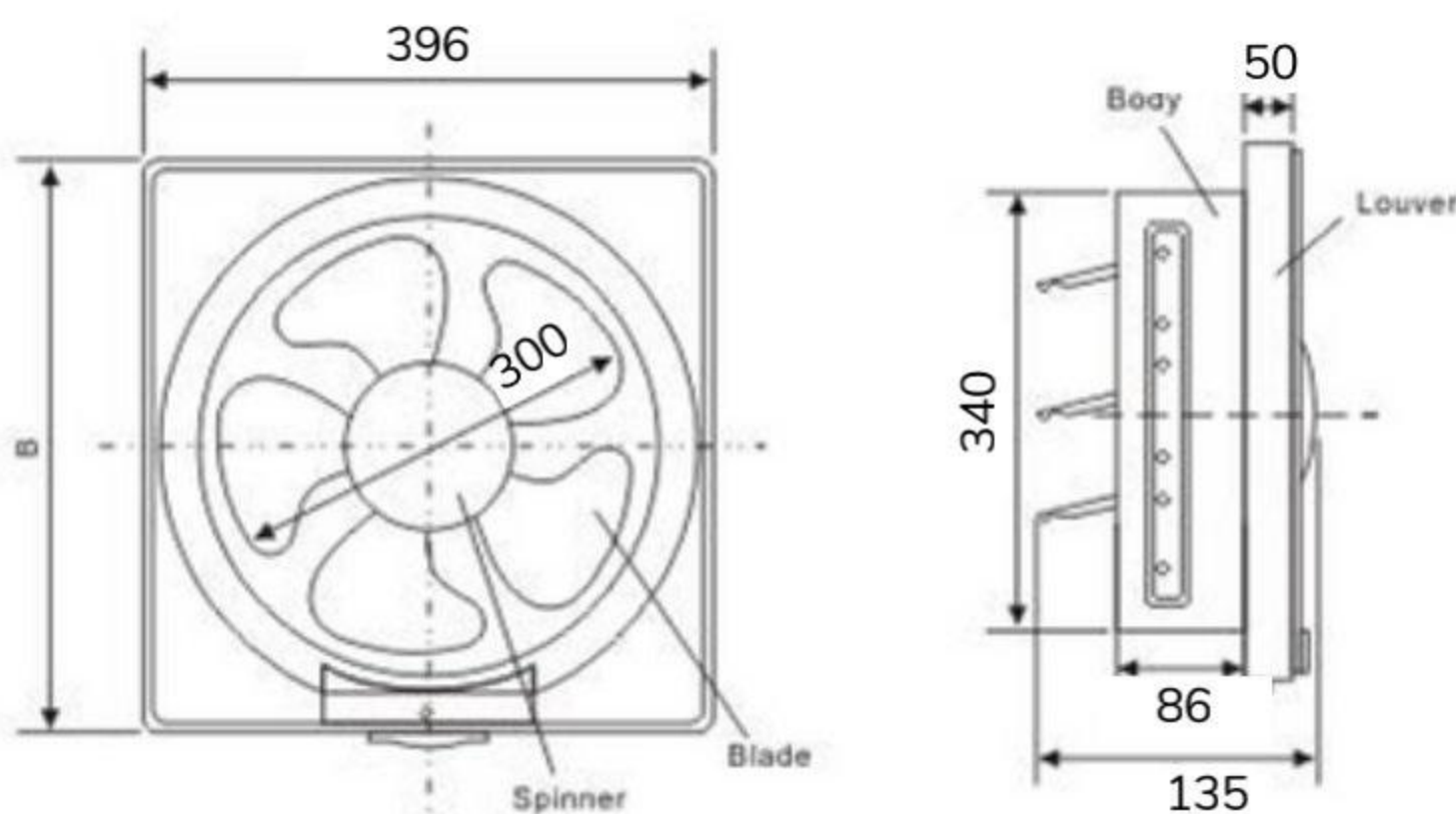
Packaging Size 73.5*42.4*43.2
Cut-Out Size 35-48m²
Qty Per Ctn 5

WORLD CLASS FEATURES

- Powerful Performance [High air delivery]
- Synergetic Aesthetics [Available in a range of designer shades]
- Rust-free Fan [Made of special grade plastic]
- Great value for money [Unparalleled cost v/s value in it's class]
- Ideal for kitchens and bathrooms



Product Size



Fans are the perfect accessories to enhance your interiors and complement your lifestyle.

- ✓ Elegant Design
- ✓ Modern Technology
- ✓ High Pressure & Low Noise
- ✓ Silicon Steel Motor
- ✓ 100% Pure Cooper Winding